



PRODUCT SHEET

Plantas Planter
by MENU

Plantas Planter

BY MENU

With undulating curves, the Plantas Planter appears to change shape with every angle it is positioned. Made from stoneware with an unglazed textured finish, each hand-shaped form is entirely unique. For indoor use. For outdoor use, follow the care and maintenance guide.

PRODUCT OPTIONS

H17



Ivory
4835649

H24



Ivory
4836649

H26



Ivory
4837649

H32



Ivory
4838649

Plantas Planter

BY MENU

TECHNICAL SPECIFICATIONS

PRODUCT TYPE
Pot

COLLI
2 / 2 / 1 / 1

ENVIRONMENT
Indoor. For outdoor use please follow care instructions.

DIMENSIONS

H17
H: 17 cm / 6,7"
W: 25 cm / 9,8"
Ø: 20 cm / 6,7"

H24
H: 24 cm / 9,4"
W: 24 cm / 9,4"
Ø: 20 cm / 6,7"

H26
H: 26 cm / 10,2"
W: 32 cm / 12,5"
Ø: 26 cm / 10,2"

H32
H: 32 cm / 12,5"
W: 40 cm / 15,7"
Ø: 28 cm / 11"

PRODUCTION PROCESS
The planters are made using slip casting and afterwards each texture/pattern is hand made.

COLOUR
Ivory

MATERIALS
Un-glazed stoneware

WEIGHT
H17: 1,8 kg / 3,97 lb
H24: 2,76 kg / 6,08 lb
H26: 4,26 kg / 9,39 lb
H32: 6,67 kg / 14,7 lb

PACKAGING TYPE
Gift box

PACKAGING MEASUREMENTS (H x W x D)

H17
25,5 cm x 29,5 cm x 11,61 cm / 10,04" x 11,61" x 12,2"

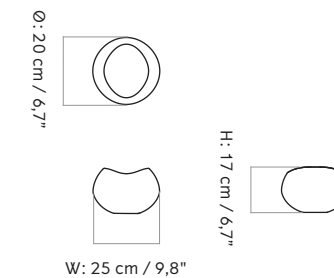
H24
31,5 cm x 31,5 cm x 32,5 cm / 12,4" x 12,4" x 12,8"

H26
32,5 cm x 39 cm x 39 cm / 12,8" x 12,8" x 15,35"

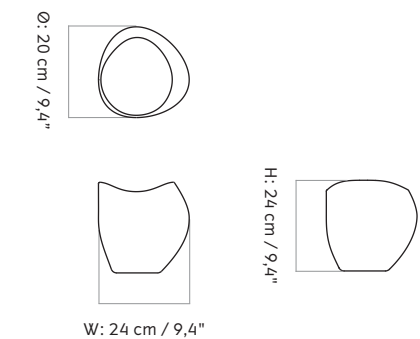
H32
44 cm x 51 cm x 51 cm / 17,32" x 17,32" x 20,08"

MATERIALS & MAINTENANCE
Please visit [menuspace.com](https://www.menuspace.com) for materials, care and maintenance instructions.

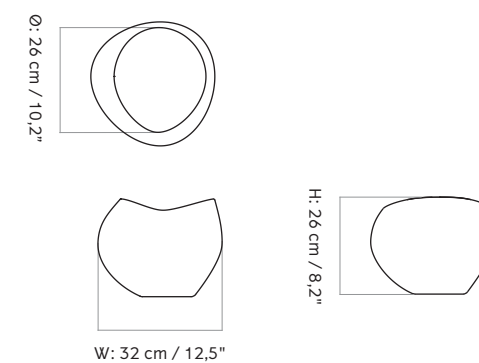
H17



H24



H26



H32

